

# REVELATION

by UTTERMOST

## ASSEMBLY INSTRUCTIONS

ASSEMBLY INSTRUCTIONS:  
MODEL NUMBER:R30218

THANK YOU FOR PURCHASING THIS TABLE LAMP .  
PLEASE FOLLOW THE INSTRUCTIONS LISTED BELOW:

CAUTION:DO NOT PLUG INTO WALL OUTLET BEFORE ASSEMBLY.  
UNPLUG WHEN REPLACING THE LAMP BULB.

- 1.Carefully unpack carton and place all parts on a soft floor.
- 2.Screw and tighten assembly (B),clockwise onto part(A).
- 2.Attach harp(C)into the saddle(B).
- 4.Place the shade(D)onto top of harp(C).
- 5.Screw and tighten Finial(E),clockwise onto part(C).

**IMPORTANT SAFETY INSTRUCTION:**

This portable lamp has a polarized plug(one blade is wider than the other), as a safety feature to reduce the risk of electric shock.

This plug will fit in a polarized outlet only one way.

If it does not fit in the outlet,reverse the plug.

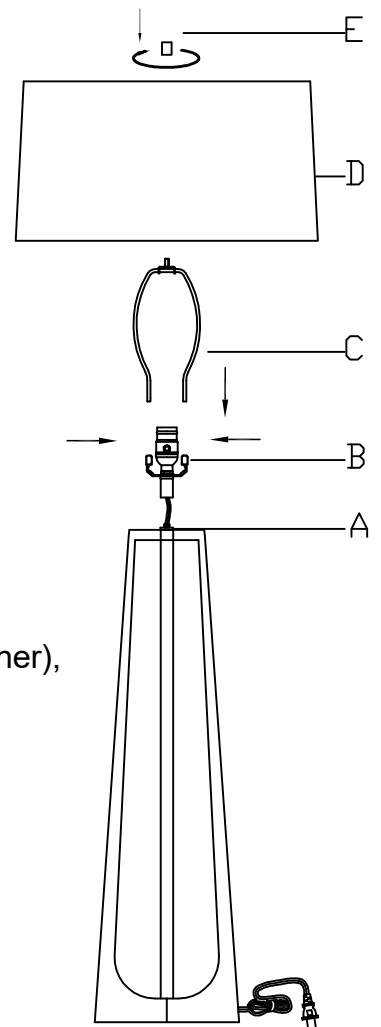
If it still does not fit, contact a qualified electrician.

Never use with an extension cord unless plug can be fully inserted.

Do not alter this plug.

**Care and maintenance**

To clean,wipe with a soft dry cloth.



P.O. Box 558 | 3325 Grassy Hill Road | Roky Mount, VA | 24151  
[www.uttermost.com/Revelation](http://www.uttermost.com/Revelation)